
A2

2019.03

-\$ <

..... 1

..... 2

..... 3

..... 5

..... 6

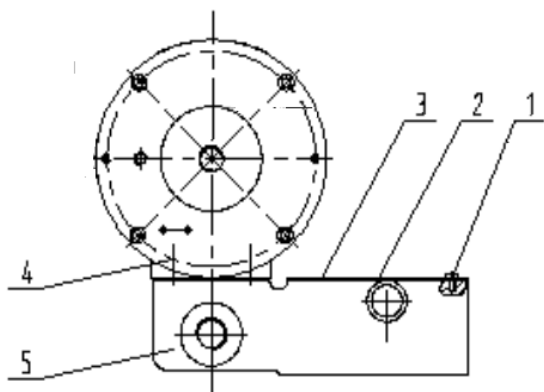
..... 8

Empty rectangular box for notes or title.

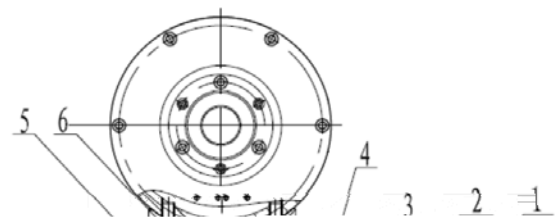
Empty rectangular box for notes or title.

Empty rectangular box for notes or title.

- 1.1 1 4 2 3 4 4 5
- 2 1.2 1 4 2 3 4 4 5 6 4

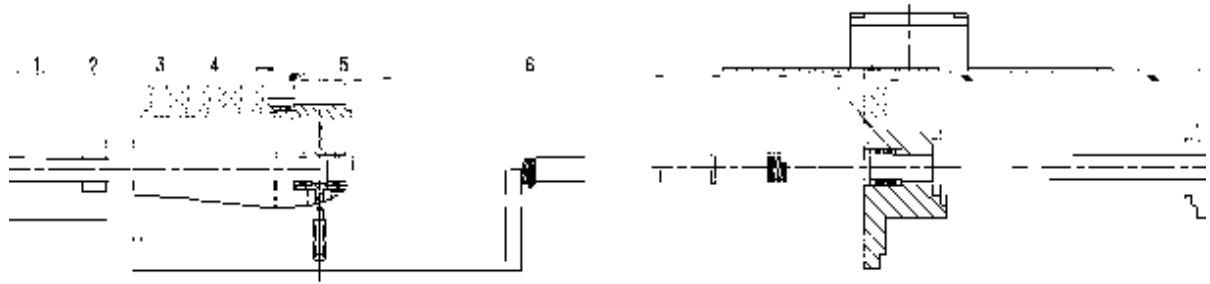


1.1



1.2

3



1.3

1.3

1

2

3

4

6

5

6

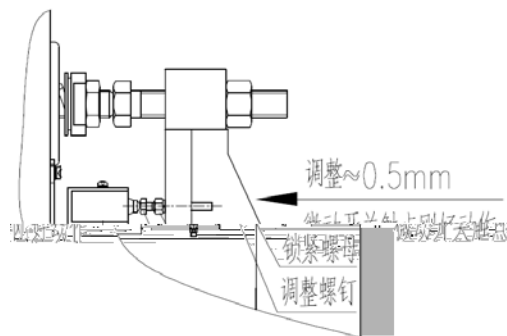
4

1

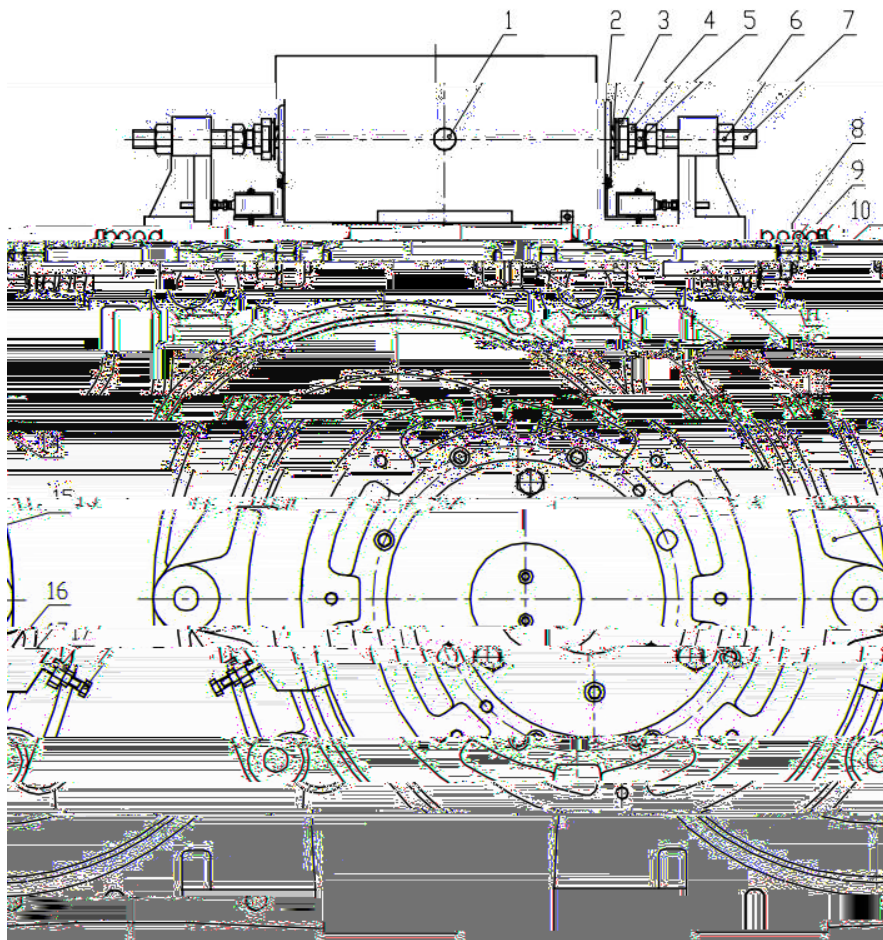
2

1.4

0.5mm



1.4



1

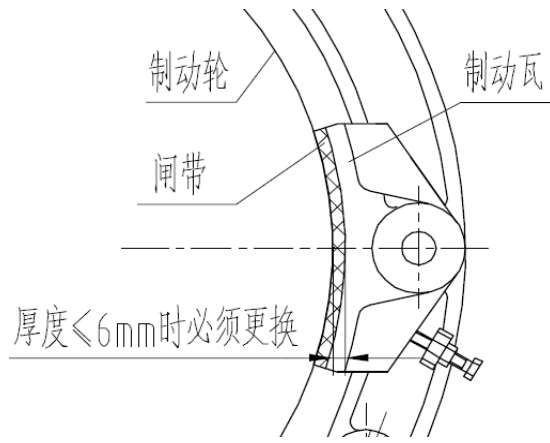
2

3

4

6mm

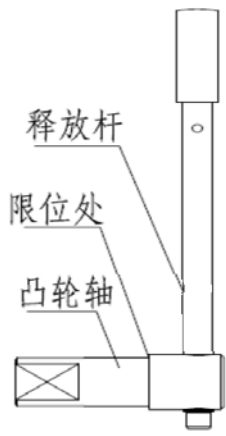
1.6



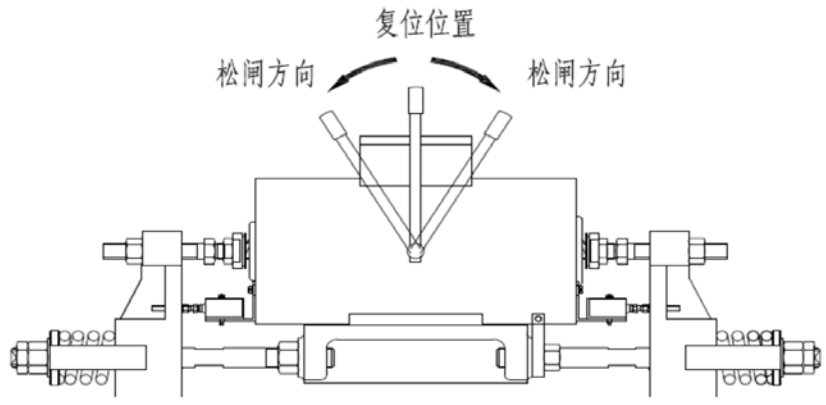
1.6

1

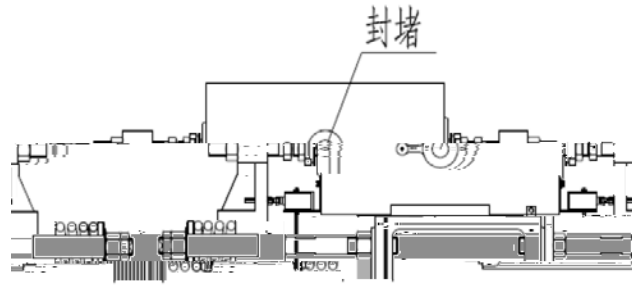
1.7



1.7



1.8



1.9

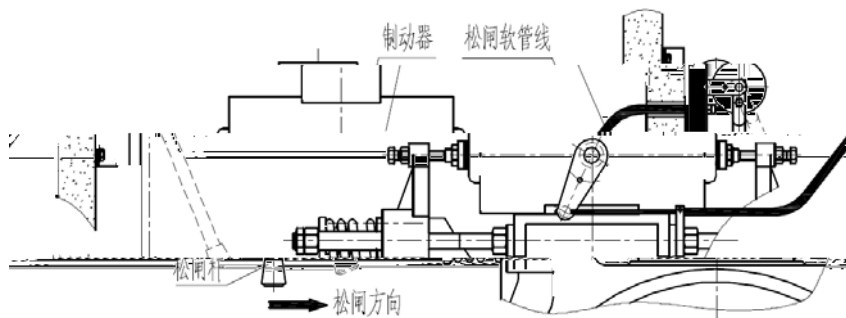
2

2.0

1

2

250mm



2.0

1

2

3

4

1.9

5

6

7